





A wood-fired sauna is a unique experience that recalls the more relaxed atmosphere of a bygone era – the scents of wood and sap, the cheerful crackle of the fire, the sizzle of water on the stones, billowing clouds of steam and shimmering waves of heat...

...it takes you back to the good old days of grandpa's childhood.

# Tylö – the hottest name in wood-fired saunas

## COANDA

heat-retention system for  
– lower wood consumption  
– longer water sprinkling time

PAT.NO 817 17



KL-20 V

Tylö's wood-fired sauna stoves have a unique heat-retaining design. The high quality is immediately evident from the weight and the thickness of the steel that make our wood-fired heaters second to none. The rear wall of the fire box is protected by a hot-air deflector for more efficient combustion and reduced wood consumption. And the materials too are the best possible: stainless steel, alu-zinc steel and sturdy structural steel.

**Superb water vaporisation.** Large, deep stone compartments make these heaters a firm favourite among bathers who revel in the sizzlingly hot sensation of water sprinkled over heated sauna stones.

**Simple to use.** Normally, stoking the fire just once is enough to heat the air from +20°C to the desired bathing temperature. Even when the fire has died down, water sprinkled on the sauna stones will still quickly evaporate thanks to the patented Coanda effect.

**Large water tank.** Tylö sauna stoves are also available with a stainless steel water tank. This fits safely inside the mantle of the stove to the right or left of the fire-box, and has a large opening for easier filling.

**Glass adds the finishing touch.** All models (except the K-007) have a hatch of Ceram special-grade glass, which can withstand temperatures of up to 800°C. The fire casts a warm glow through the glass, creating a wonderfully cosy atmosphere in the sauna.

## Sauna stoves

PRODUCT GROUP I

All our wood-fired sauna stoves have an ash hatch, grate shuttle and rear/top flue connection options. Most models are also available with the water tank on the left-hand side, or with twin tanks. (Prices on request.) Please see the next spread for details of suitable sauna stove chimneys.



KL-16 (Art. no. 6405 1020)  
With glass hatch.

KL-16 R (Art. no. 6405 1021)  
Outer mantle in stainless steel.

KL-16 VE (Art. no. 6405 1023)  
Front-mounted water tank.



K-007 (Art. no. 6405 2000)



KL-20 (Art. no. 6405 1030)  
Large glass hatch.

KL-20 R (Art. no. 6405 1033)  
Outer mantle in stainless steel.

KL-20 V (Art. no. 6405 1031)  
Water tank on right-hand side.



KL-12 (Art. no. 6405 1010)  
Large glass hatch.

KL-12 V (Art. no. 6405 1011)  
Water tank on right-hand side.



**KL-27** (Art. no. 6405 1040)  
Large glass hatch.

**KL-27 V** (Art. no. 6405 1041)  
Water tank on right-hand side.



**KL-27 VR** (Art. no. 6405 1044)  
Water tank on right-hand side.  
Outer mantle in stainless steel.



**KL-37** (Art. no. 6405 1050)  
Large glass hatch.

**KL-37 V** (Art. no. 6405 1051)  
Water tank on right-hand side.



**KSIL-20 JK** (Art. no. 6405 3230)  
Sauna stove with "king size" glass hatch and double function (see description on right). Top flue connection only. Output 18 kW for sauna volume 3–20 cu.m.

**KSIL-27 JK** (Art. no. 6405 3240)  
As above, output 20 kW for sauna volume 17–27 cu.m.

**KSIL-37 JK** (Art. no. 6405 3250)  
As above, output 30 kW for sauna volume 25–37 cu.m.

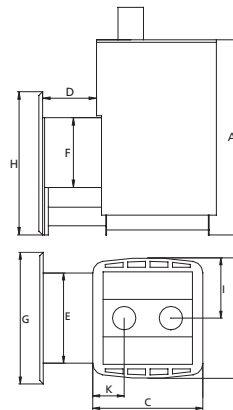
#### Choose the right heater for the job

Heating outputs in relation to the volume of the sauna are given in the table below. To compensate for the effect of brick walls, add 3 cu.m. for every square metre of brick (or single-glazed glass) over 2 sq.m. in size. In log-cabin saunas with uninsulated timber walls, increase the volume by 25%. In borderline cases, always choose the larger of two possible sauna heaters.



#### Two-in-one sauna heater and stove

The KSIL-JK model not only heats your sauna, but it spreads a relaxing atmosphere in the adjacent room at the same time. The large glass door opens to reveal an extended channel that links the sauna heater to the fire-box. The door, like the rest of the stove, is designed to take really chunky logs.



Size (mm)

	KSIL-20 JK	KSIL-27 JK	KSIL-37 JK
A	782	915	915
B	478	478	520
C	480	480	580
D	205	200	200
E	393	393	393
F	470	530	530
G	600	600	600
H	574	634	634
I	239	239	260
J	137	137	235
K			

Sauna heater	Sauna volume (cu.m.)	Output kW	W x D x H mm	Water tank (litres)	Flue opening (dia. mm)	From floor to bottom edge of rear flue	Weight without stones (kg)	Stone weight (kg)
K-007	3 - 7	7	330 x 430 x 600	–	104	410 mm	32	25 - 30
KL-12	5 - 10	12	410 x 500 x 660	–	104	450 mm	48	40 - 45
KL-12 V	5 - 10	12	575 x 500 x 660	25	104	450 mm	53	40 - 45
KL-16	9 - 16	15	435 x 490 x 710	–	104	505 mm	55	40 - 45
KL-16 R	9 - 16	15	435 x 490 x 710	–	104	505 mm	55	40 - 45
K-16 VE	8 - 15	15	435 x 675 x 710	22	104	505 mm	60	40 - 45
KL-20	8 - 20	18	480 x 500 x 780	–	104	513 mm	62	60 - 65
KL-20 R	8 - 20	18	480 x 500 x 780	–	104	513 mm	62	60 - 65
KL-20 V	8 - 17	18	645 x 500 x 780	28	104	513 mm	67	60 - 65
KSIL-20 JK	8 - 20	18	480 x 480* x 780	–	104	Top connection	76	60 - 65
KL-27	17 - 27	20	480 x 500 x 920	–	129	640 mm	72	65 - 70
KL-27 V	15 - 24	20	645 x 500 x 920	28	129	640 mm	77	65 - 70
KL-27 VR	15 - 24	20	645 x 500 x 920	28	129	640 mm	77	65 - 70
KSIL-27 JK	17 - 27	20	480 x 480* x 920	–	129	Top connection	86	65 - 70
KL-37	25 - 37	30	570 x 585 x 920	–	129	640 mm	118	75 - 80
KL-37 V	23 - 35	30	730 x 585 x 920	28	129	640 mm	125	75 - 80
KSIL-37 JK	25 - 37	30	570 x 585* x 920	–	129	Top connection	135	75 - 80

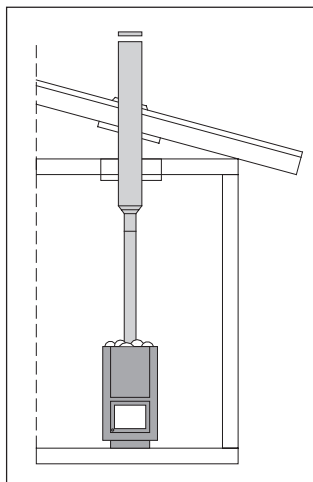
\* KSIL-JK depth excludes the channel between the hatch and the stove itself. The wall this channel passes through must be of non-combustible material and thermally insulated. Max. wall thickness: 20 cm.



## Sauna chimneys

### PRODUCT GROUP I

Complete chimney kits, specially developed for use with Tylö wood-fired sauna stoves. Sauna stove chimneys can also be constructed from the individual components listed below, which are all available separately, and/or complemented with accessories from the range on page 106. All insulated modules are made of acid-resistant stainless steel with high-grade ceramic insulation. (Approved by the Swedish National Testing and Research Institute under certificate SP 0204/02.)



#### Sauna chimney kit: 100 mm dia.

100 mm diameter for small and medium-size Tylö stoves from K-007 to KSIL-20 JK. Comprises insulated top module with stainless steel chimney cowl, synthetic rubber storm collar, insulation sleeve S 251 and collar S 27, plus 1 metre of uninsulated extension pipe. Simple installation. Add suitable accessories where necessary.

**Ø 100-2800** (Art. no. 6505 2020)  
Length: 2.8 metres, of which 1.8 metres are insulated.

**Ø 100-3250** (Art. no. 6505 2021)  
Length: 3.25 metres, of which 2.25 metres are insulated.

**Ø 100-3700** (Art. no. 6505 2022)  
Length: 3.7 metres, of which 2.7 metres are insulated.

#### Sauna chimney kit: 125 mm dia.

As above, but with 125 mm diameter for sauna stoves KL-27 to KSIL-37 JK.

**Ø 125-2800** (Art. no. 6505 2030)  
Length: 2.8 metres, of which 1.8 metres are insulated.

**Ø 125-3250** (Art. no. 6505 2031)  
Length: 3.25 metres, of which 2.25 metres are insulated.

**Ø 125-3700** (Art. no. 6505 2032)  
Length: 3.7 metres, of which 2.7 metres are insulated.



#### Insulated modules

**S 1-100** (Art. no. 6505 3049)  
Top section 900 mm.

**S 1-125** (Art. no. 6505 3050)  
Top section 900 mm.

**S 2-100** (Art. no. 6505 3059)  
Bottom section 900 mm.

**S 2-125** (Art. no. 6505 3060)  
Bottom section 900 mm.

**S 6-100** (Art. no. 6505 3199)  
Intermediate section 900 mm.

**S 6-125** (Art. no. 6505 3200)  
Intermediate section 900 mm.

**S 71-100** (Art. no. 6505 3209)  
Intermediate section 675 mm.

**S 71-125** (Art. no. 6505 3210)  
Intermediate section 675 mm.

**S 7-100** (Art. no. 6505 3219)  
Intermediate section 450 mm.

**S 7-125** (Art. no. 6505 3220)  
Intermediate section 450 mm.

**S 13-100** (Art. no. 6505 3229)  
Offset module: 360 mm offset, 30° angle, length 900 mm.

**S 13-125** (Art. no. 6505 3230)  
Offset module: 360 mm offset, 30° angle, length 900 mm.

**S 251-100** (Art. no. 6505 3449)  
Sleeve for extra insulation of modules that pass through walls/ceilings. Length 500 mm, Ø 100 mm.

**S 251-125** (Art. no. 6505 3450)  
As above, but Ø 125 mm.

#### Uninsulated pipe sections

**S 301-100** (Art. no. 6505 2140)  
Extension pipe with adapter. Length 1 metre, Ø 100 mm.

**S 301-125** (Art. no. 6505 2170)  
As above, but Ø 125 mm.

**S 30-104/129** (Art. no. 6505 2200)  
Extension pipe with reduced diameter at one end. Length: 1 metre. For use with sauna stoves K-007 to KSIL-20 JK and modular chimneys. Flue diameter: 125 mm.

#### Fixtures and accessories

**S 27-100** (Art. no. 6505 3469)  
Collar for insulating sleeve. Ø 100 mm.

**S 27-125** (Art. no. 6505 3470)  
As above, but Ø 125 mm.

**S 29-100** (Art. no. 6505 3479)  
Sheet metal support for a 100 mm diameter flue pipe where it passes through the roof. Max. 60° pitch.

**S 29-125** (Art. no. 6505 3480)  
As above, but for a 125 mm diameter pipe.

**S 20-100** (Art. no. 6505 3369)  
Chimney support/wall bracket. Distance to wall: 100 mm. Ø 100 mm.

**S 20-125** (Art. no. 6505 3370)  
As above, but Ø 125 mm.

**S 21-100** (Art. no. 6505 3379)  
Chimney support/wall bracket for use when the distance to the wall is more than 100 mm. Ø 100 mm.

**S 21-125** (Art. no. 6505 3380)  
As above, but Ø 125 mm.

**S 22-100** (Art. no. 6505 3399)  
Support ring for use when the flue pipe is more than 1.4 metres from any fixed support. Ø 100 mm.

**S 22-125** (Art. no. 6505 3400)  
As above, but Ø 125 mm.

**S 4-100** (Art. no. 6505 3359) Stainless steel chimney cowl, Ø 100 mm.

**S 4-125** (Art. no. 6505 3360)  
As above, but Ø 125 mm.

**S 5-100** (Art. no. 6505 3249) Storm collar. Synthetic rubber. Not suitable on profiled surfaces. Ø 100 mm.

**S 5-125** (Art. no. 6505 3250)  
As above, but Ø 125 mm.

**S 141-100** (Art. no. 6505 2100)  
Damper Ø 100 mm.

**S 141-125** (Art. no. 6505 3350)  
As above, but Ø 125 mm.